



VALLA 75 E MOBILE CRANE Max Capacity 7,5 t



DRIVE: DC 8 kW - 48 V fanned, reversible electric motor with MOSFET electronic control HF and energy saving, self diagnostic, speed and temperature checks (no. 2 thermostats), brush wear warning.

TRANSMISSION: differential axle and reduction gear. Speed up to 10 km/h.

BATTERY: 48 V 575 Ah. Battery charge indicator on dashboard.

SUSPENSION: oscillating rear axle with mechanical lock.

BRAKES: foot hydraulically operated brakes (disc on front, shoes on rear wheels). Parking hand brake mechanically operated.

STEERING: power steering with hydraulic cylinder and 140° articulation (ORBITROL system). Safety valves and filter.

CRANE FRAME: fabricated from preformed and welded quality steel plate with built-in counterweight.

WHEELS: rear 2 tires 6.50 R10". Front 4 solid tires 21 x 8-9".

BOOM: fabricated from preformed and welded quality steel plate with 3 hydraulic telescoping sections on nylon wear pads.

HYDRAULIC SYSTEM: 5 kW - 48 V electric pump, proportional distributor controlled by joystick, filter, safety valves on all boom operations. Max pressure 190 Bar.

DRIVER'S OVERHEAD GUARD: steel frame with metal checker plate and full visibility.

WEIGHT: 6.100 Kg.

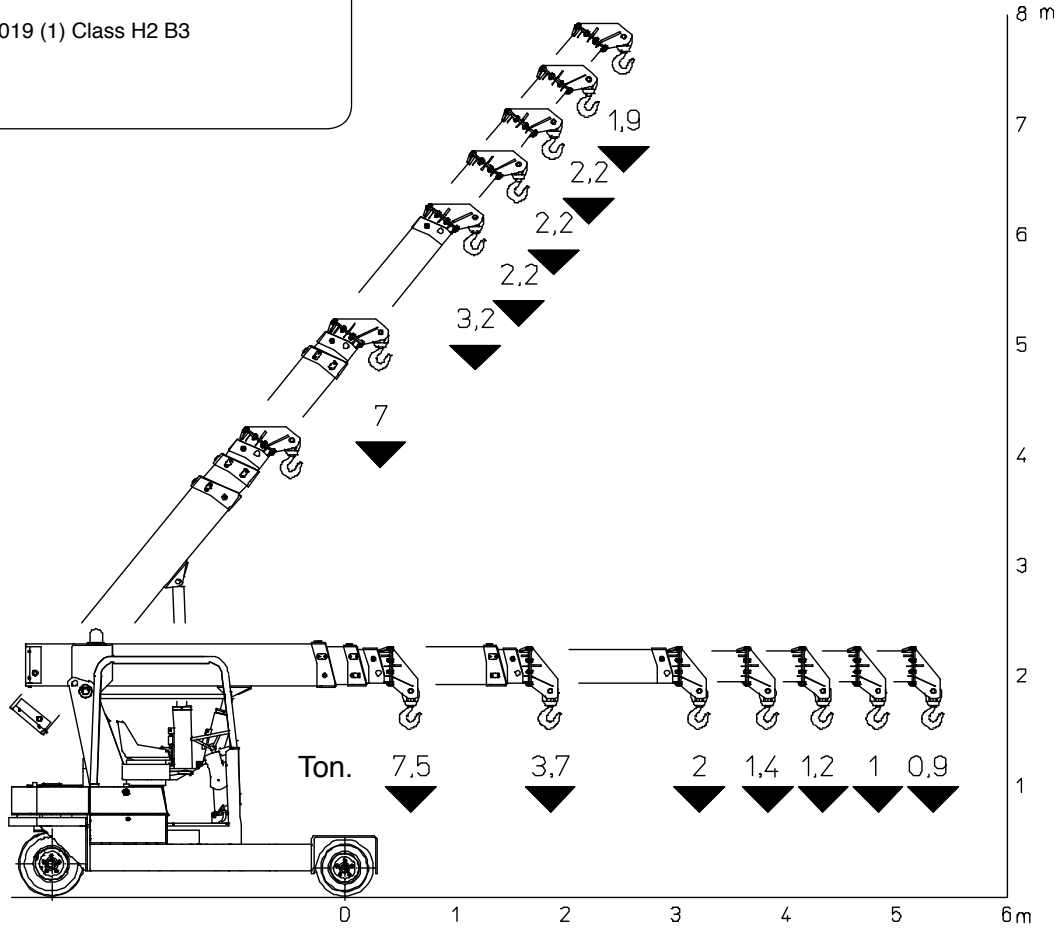
OPTIONAL EXTRAS: L.M.I. (Electronic Load Moment Indicator), manual boom extension, man bucket, remote control, canvas cab, metal enclosed cab, carry deck, battery, battery charger, hydraulic winch, hydraulic chain hoist, non-marking tires.

Valla S.p.A.

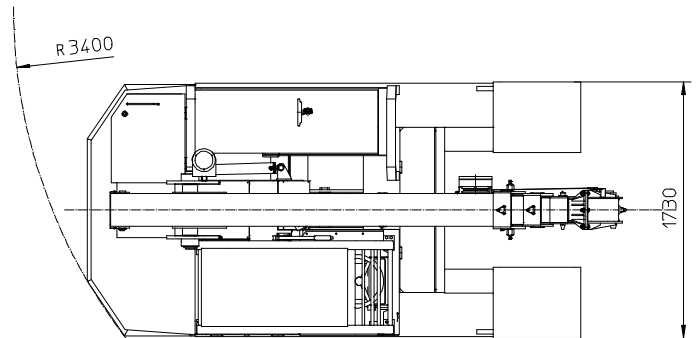
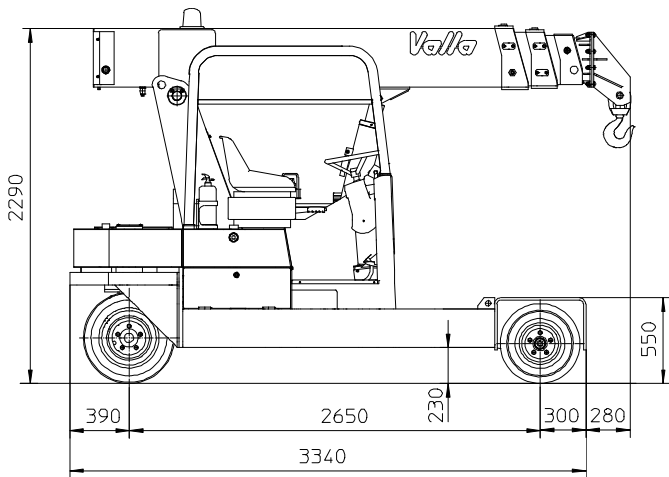
Via Piacenza, 45 - 29010 Calendasco - Piacenza - ITALIA
Tel. 0039 0523 762025 - 762004 - Fax 0039 0523 760531
Internet: www.valla.com - email: info@valla.com

The crane complies with following international standards:

- I.S.P.E.S.L.
- DIN 15018 (1,3) - 15019 (1) Class H2 B3
- ANSI - 1994
- 98/37/CE
- 89/336/CEE



VALLA MODEL 75 E



mm

Valla S.p.A.

Via Piacenza, 45 - 29010 Caldasco - Piacenza - ITALIA
 Tel. 0039 0523 762025 - 762004 - Fax 0039 0523 760531
 Internet: www.valla.com - email: info@valla.com

