



**VALLA 400 DE MOBILE CRANE
MAX CAPACITY 40 t**



THE VALLA 400 DE IS A DUAL FUEL MOBILE CRANE:

- DIESEL, TO TRAVEL ON THE ROAD OR TO WORK OUTSIDE**
- ELECTRIC, TO WORK INSIDE**

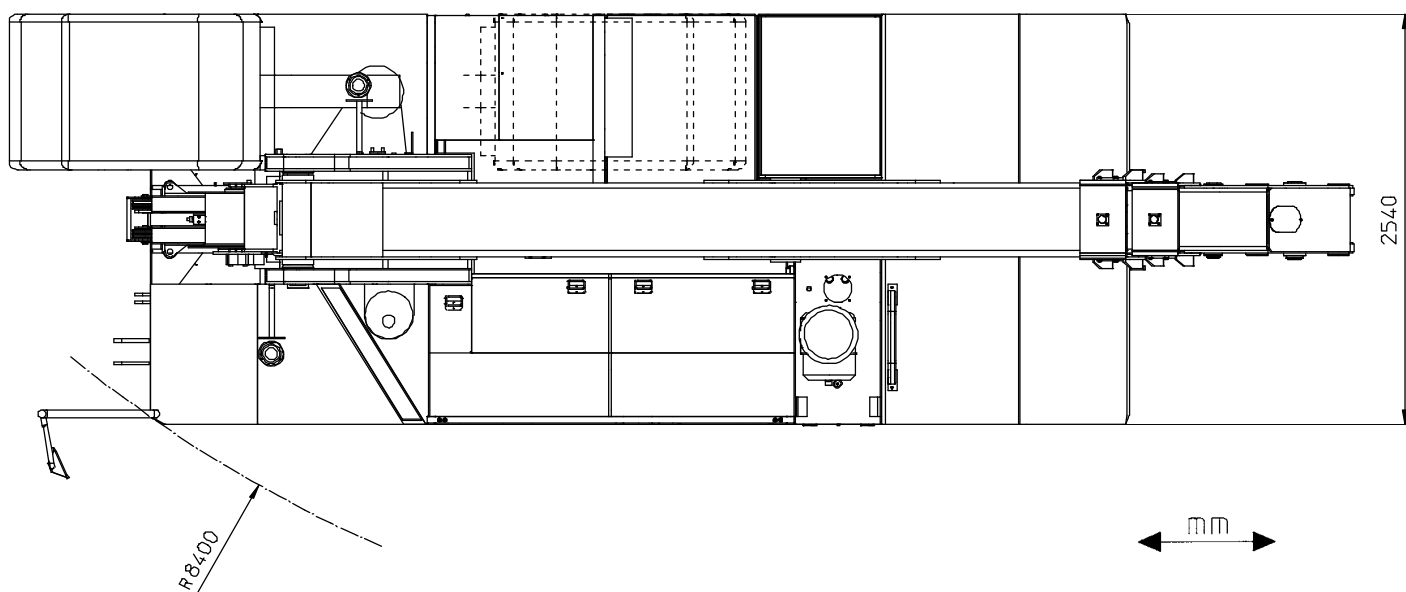
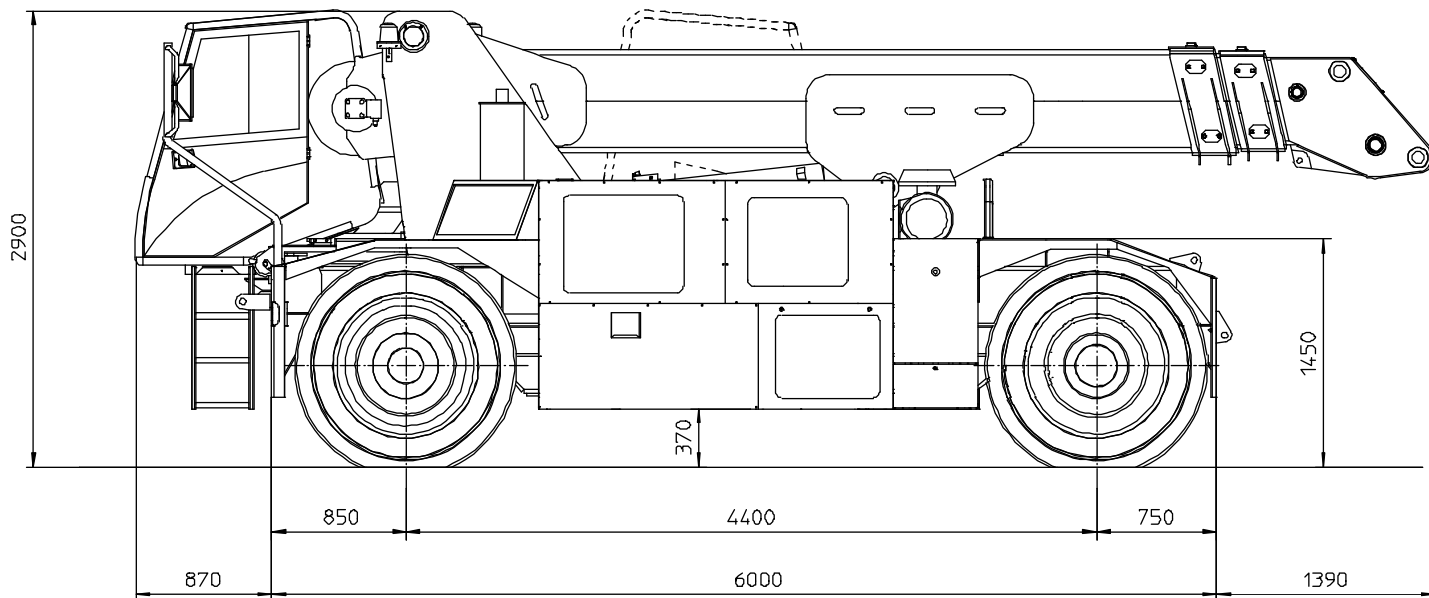
Valla S.p.A.

Via Piacenza, 45 - 29010 Calendasco - Piacenza - ITALIA
Tel. 0039 0523 762025 - 762004 - Fax 0039 0523 760531
Internet: www.valla.com - email: info@valla.com

The crane complies with following international standards:

- I.S.P.E.S.L.
- DIN 15018 (1,3) - 15019 (1) class H 2 B3
- ANSI - 1994
- 98/37 CE
- 89/336 CEE

VALLA 400 DE MOBILE CRANE



Valla S.p.A.

Via Piacenza, 45 - 29010 Caldasco - Piacenza - ITALIA
Tel. 0039 0523 762025 - 762004 - Fax 0039 0523 760531
Internet: www.valla.com - email: info@valla.com





VALLA 400 DE MOBILE CRANE MAX CAPACITY 40 t

DIESEL OPERATION

ENGINE: 6 cylinder, Iveco 134 kW - 182 HP.
TRANSMISSION: automatic torque converter -6 gear
forward + 3 gear reverse; max speed up to 40 k/h
- hydraulic pumps PTO.
ELECTRIC SYSTEM: 24V - road ligths.

ELECTRIC OPERATION

PROPULSION: 30 kw - 96 V DC motor with electronic
control.
TRANSMISSION: gear box - speed up to 6 k/h.
BATTERY: 96 V - 850 Ah.
CHARGER: on board.
ELECTRIC PUMP: 96 V - 18 kw.

HYDRAULIC SYSTEM: proportional control valves, filters, safety valves.

AXLES: 1 steer oscillating + 1 driving rigid.

BRAKES: service hydraulic (disk brakes), parking hydraulic.

STEERING: reversible (on the road front steering wheels, on the job rear steering wheels) -hydraulic power steering.

TYRES: 14.00 - 24" - 4 on drive axle + 2 on steering axle.

FRAME: fabricated from preformed and welded steel plate.

BOOM: fabricated from preformed and welded steel plate - with 3 hydraulic sections, entirely automatic - nylon pads.

WINCH: hydraulic with cable inside the boom.

CAB: automotive type - (optional: rotary cab).

WEIGHT: 25.000 kg, without counterweight.

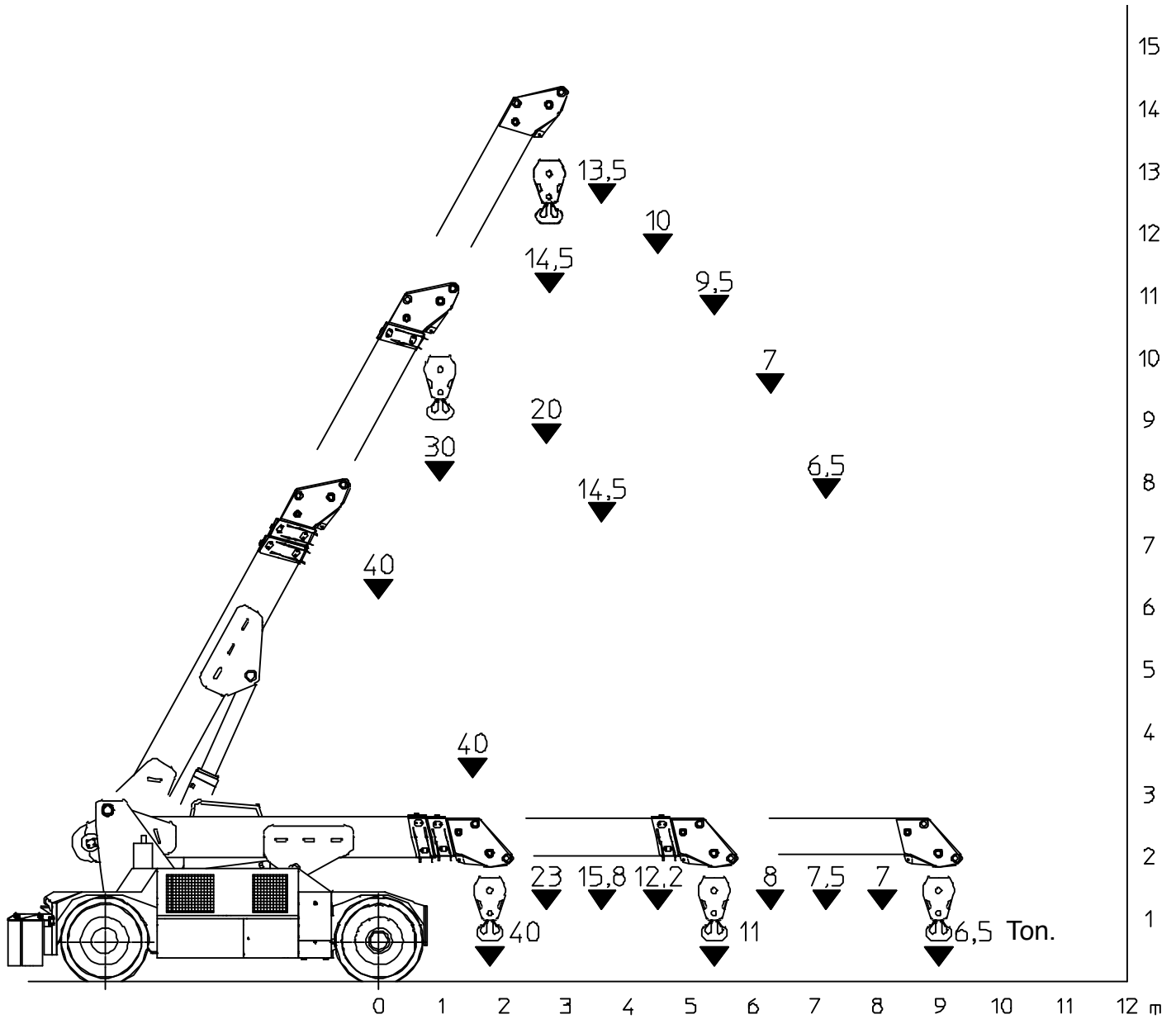
OPTIONS: L.M.I. (Load Moment Indicator) generator diesel for auxiliary battery recharge while travelling on the road or idle, battery, on board battery charger, man bucket, remote control, rotary cab.

Valla S.p.A.

Via Piacenza, 45 - 29010 Calendasco - Piacenza - ITALIA
Tel. 0039 0523 762025 - 762004 - Fax 0039 0523 760531
Internet: www.valla.com - email: info@valla.com

The crane complies with following international standards:

- I.S.P.E.S.L.
- DIN 15018 (1,3) - 15019 (1) class H 2 B3
- ANSI - 1994
- 98/37 CE
- 89/336 CEE



VALLA MODEL 400 DE

Valla S.p.A.

Via Piacenza, 45 - 29010 Calendasco - Piacenza - ITALIA
 Tel. 0039 0523 762025 - 762004 - Fax 0039 0523 760531
 Internet: www.valla.com - email: info@valla.com

