



VALLA 20 TRX TRACKED CRANE Max Capacity 4,400 lbs



ELECTRIC POWERED

MOTOR: AC 12 kW - 48 V.

TRANSMISSION: Automatic, hydrostatic. Max speed 1.25 mph.

FRAME: Fabricated from preformed and welded steel plate with built-in counterweight. Standard carry deck.

TRACKED UNDERCARRIAGE: Rubber tracks.

BOOM: Fabricated from preformed and welded steel plate with 2 hydraulic telescoping sections on nylon wear pads. Incorporated manual extension.

HYDRAULIC SYSTEM: Gear pump, electric proportional distributor with remote control, filter, safety valves on all boom operations.

TOTAL MACHINE WEIGHT: 4,620 lbs.

OPTIONAL EXTRAS: L.M.I. (electronic Load Moment Indicator), man bucket, radio remote control, hydraulic winch, hydraulic chain hoist, manual jib extension, battery, battery charger, non-marking tracks.

DIESEL POWERED

ENGINE: Diesel HP 16,5 - 4 cylinders, water cooled.

TRANSMISSION: Automatic, hydrostatic. Max speed 1.25 mph.

FRAME: Fabricated from preformed and welded steel plate with built-in counterweight. Standard carry deck.

TRACKED UNDERCARRIAGE: Rubber tracks.

BOOM: Fabricated from preformed and welded steel plate with 2 hydraulic telescoping sections on nylon wear pads. Incorporated manual extension.

HYDRAULIC SYSTEM: Gear pump, electric proportional distributor with remote control, filter, safety valves on all boom operations.

TOTAL MACHINE WEIGHT: 4,180 lbs.

OPTIONAL EXTRAS: L.M.I. (electronic Load Moment Indicator), man bucket, radio remote control, hydraulic winch, hydraulic chain hoist, manual jib extension, LPG conversion.

Valla S.p.A.

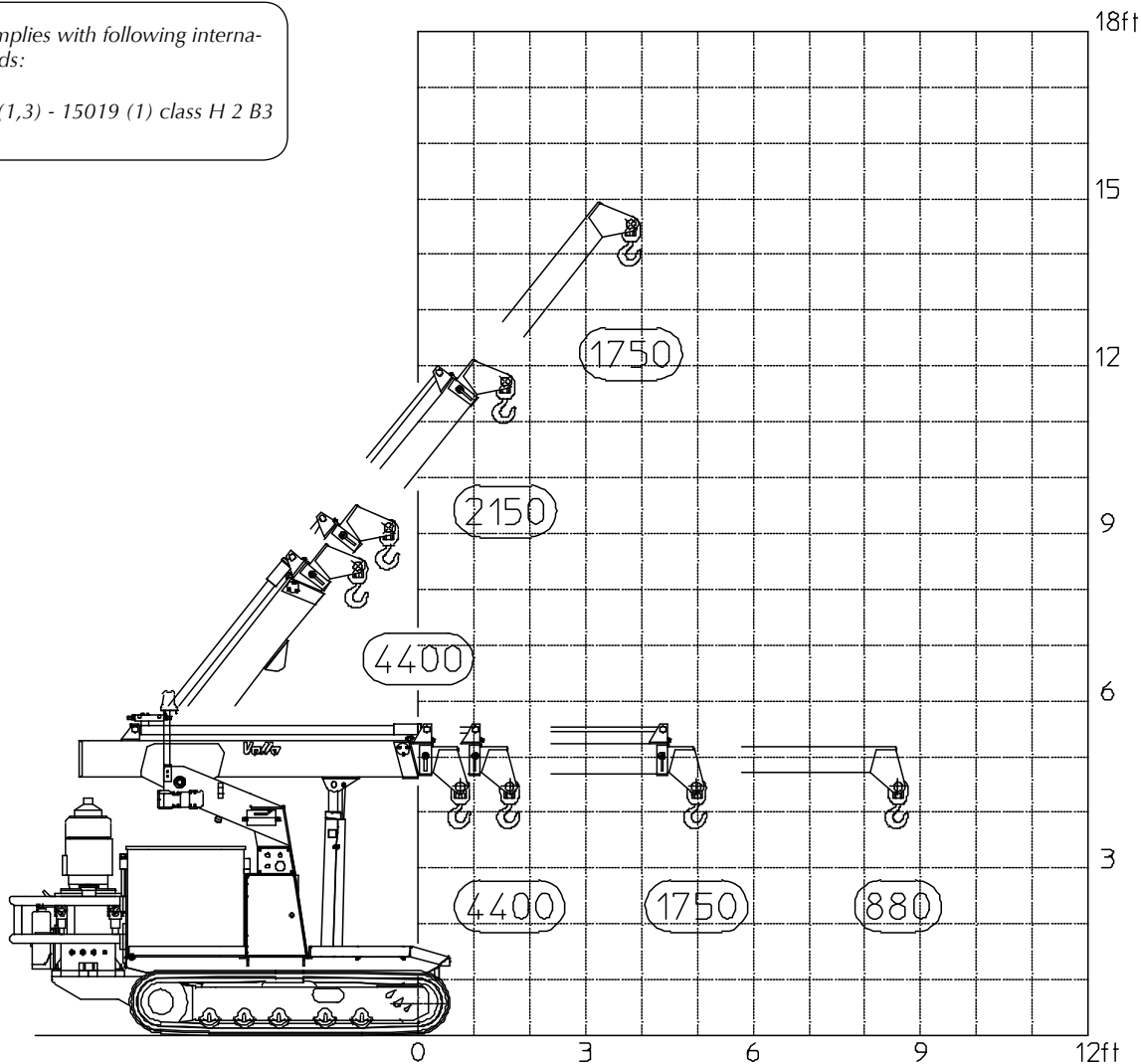
Via Piacenza, 45 - 29010 Calendasco - Piacenza - ITALIA
Tel. 0039 0523 762025 - 762004 - Fax 0039 0523 760531
Internet: www.valla.com - email: info@valla.com

Printed by Valla S.p.A. - June 2004

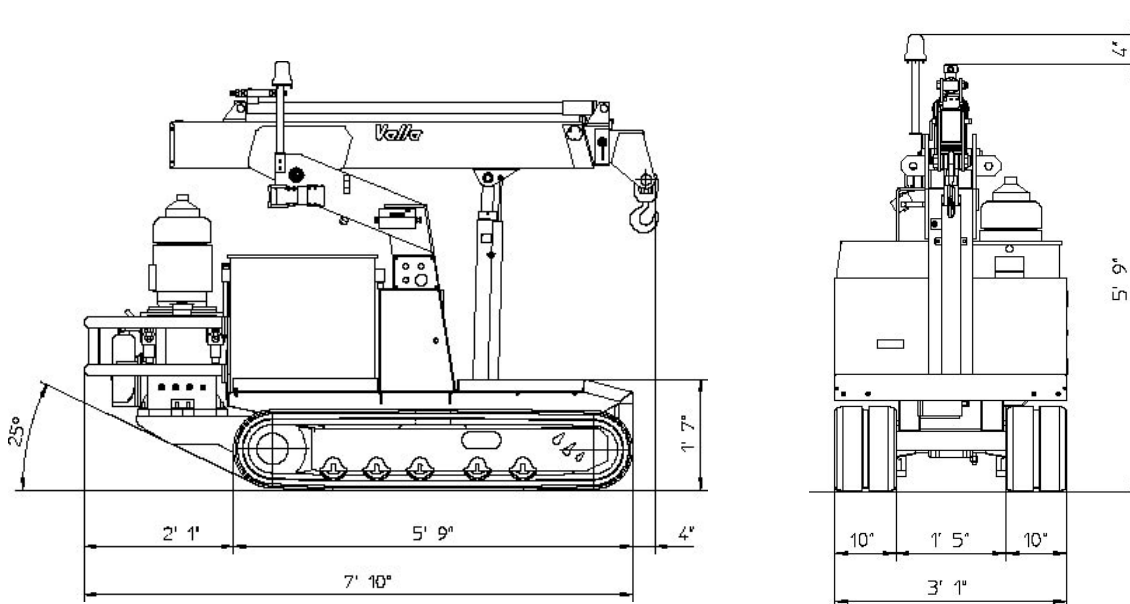
Data above are subject to be changed without any previous notice.

The crane complies with following international standards:

- I.S.P.E.S.L.
- DIN 15018 (1,3) - 15019 (1) class H 2 B3
- ANSI - 1994



VALLA MODEL 20 TRX



Valla S.p.A.

Via Piacenza, 45 - 29010 Calendasco - Piacenza - ITALIA
 Tel. 0039 0523 762025 - 762004 - Fax 0039 0523 760531
 Internet: www.valla.com - email: info@valla.com

